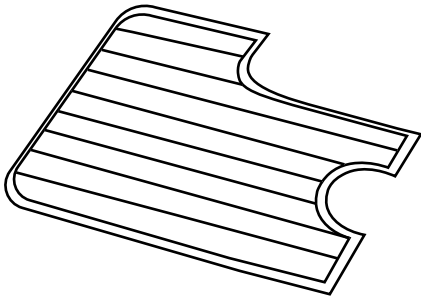
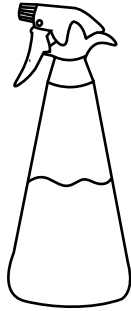


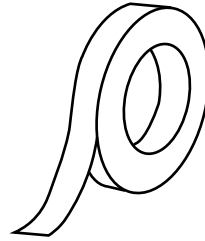
Required materials



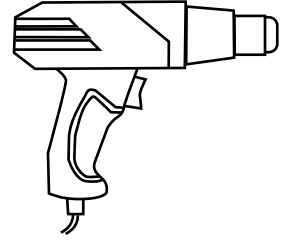
SleekTEAK panels



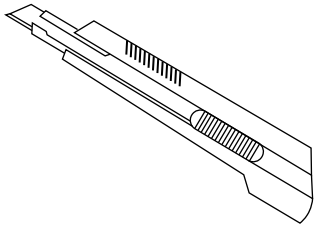
Cleaning solution



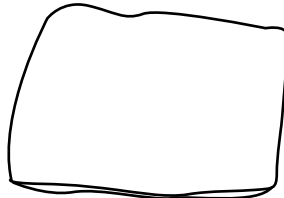
Masking tape



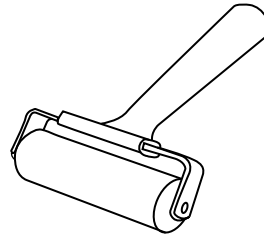
Blow dryer



Cutter or Sharp object



Clean Cloth

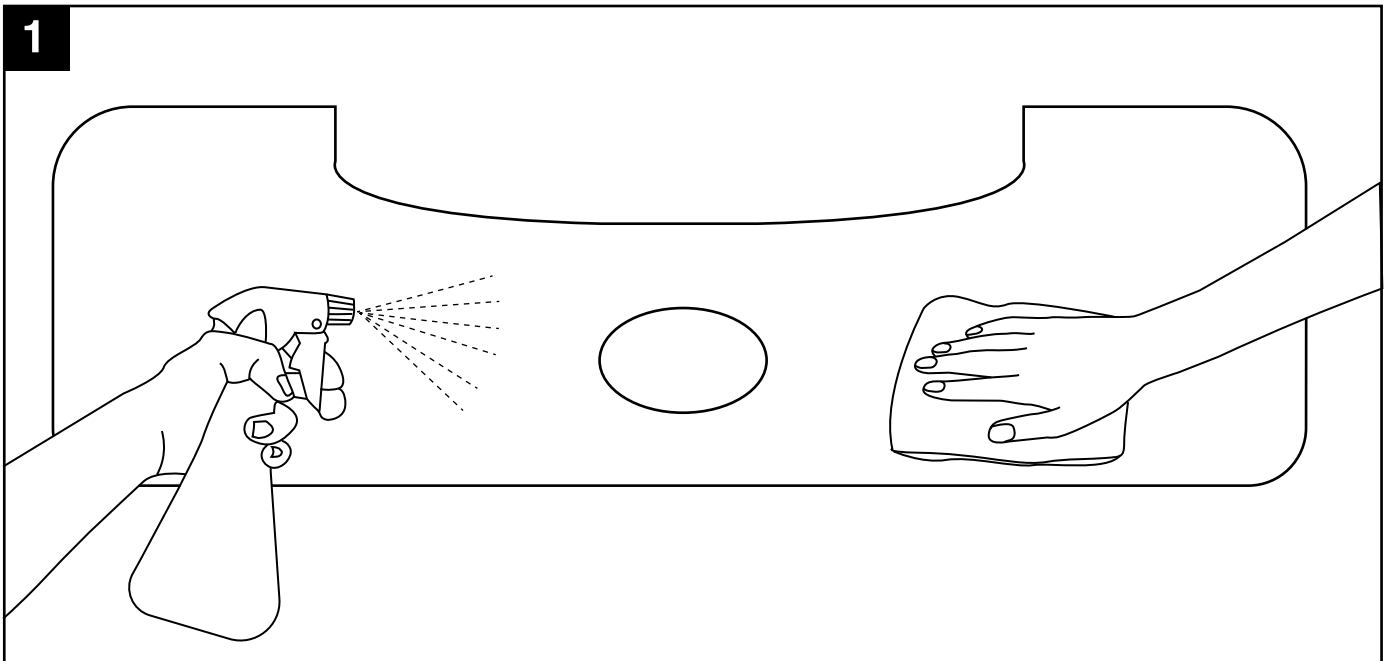


Hand Roller

INSTRUCTIONS

Surface Cleaning

1



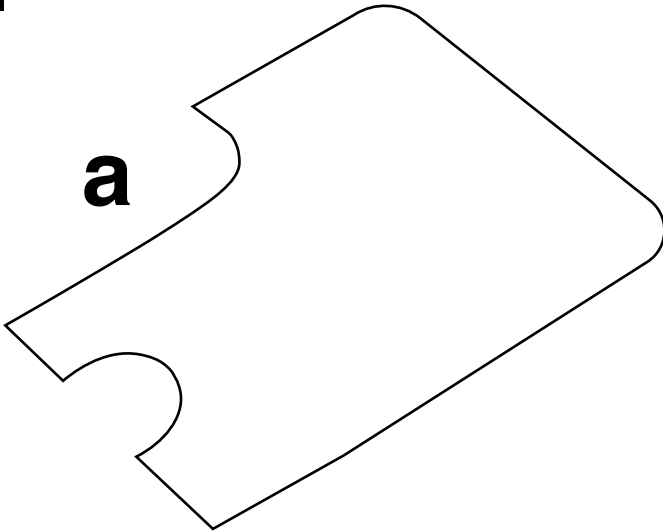
Ensure the surface where SleekTEAK will be installed is free of debris, dirt, and any other contaminants.

Clean the surface thoroughly using the cleaning solution and a clean cloth. Allow it to dry completely before proceeding.

Preparing the SleekTEAK

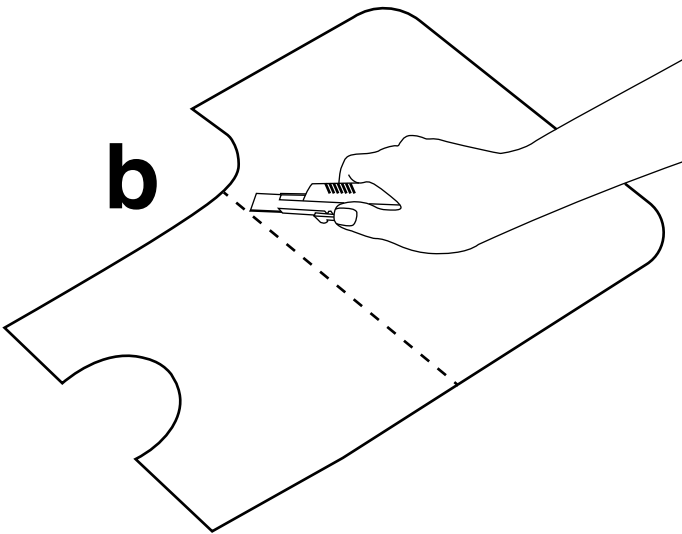
2

a



Turn the SleekTEAK panel over to expose the back.

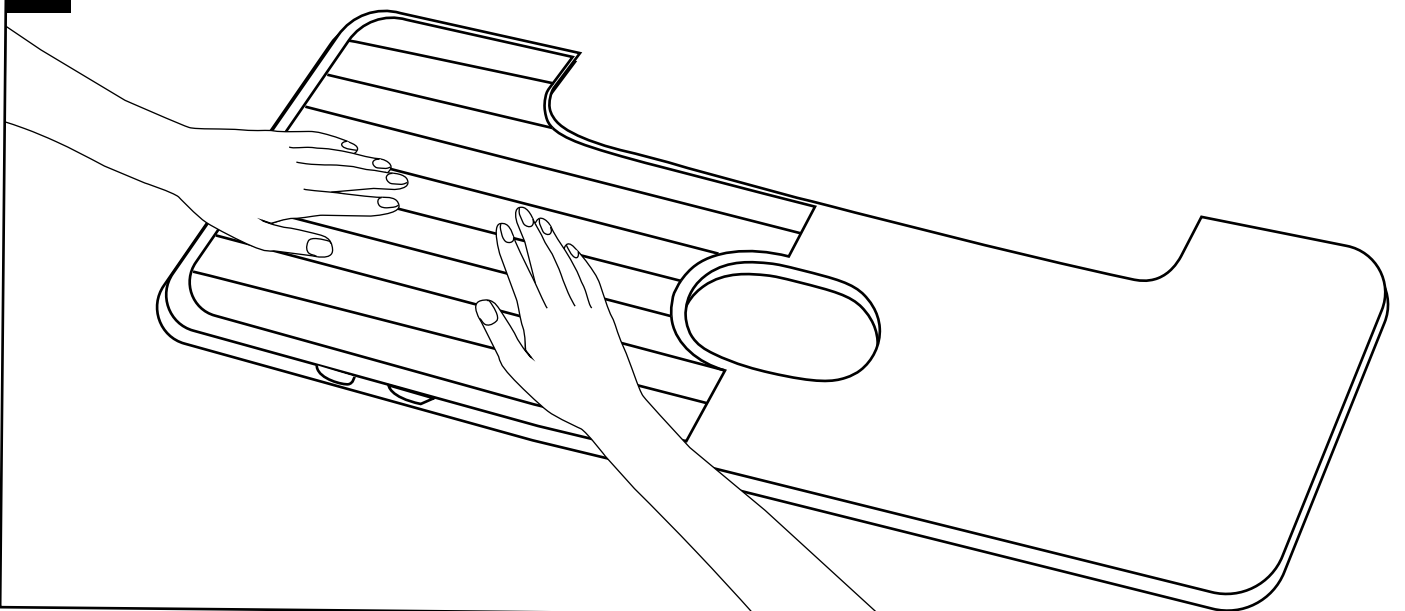
b



Gently score the back of the SleekTEAK panel with a Utility or Razor Knife , ensuring to cut through the surface but not into the product itself. This will help with adhesion.

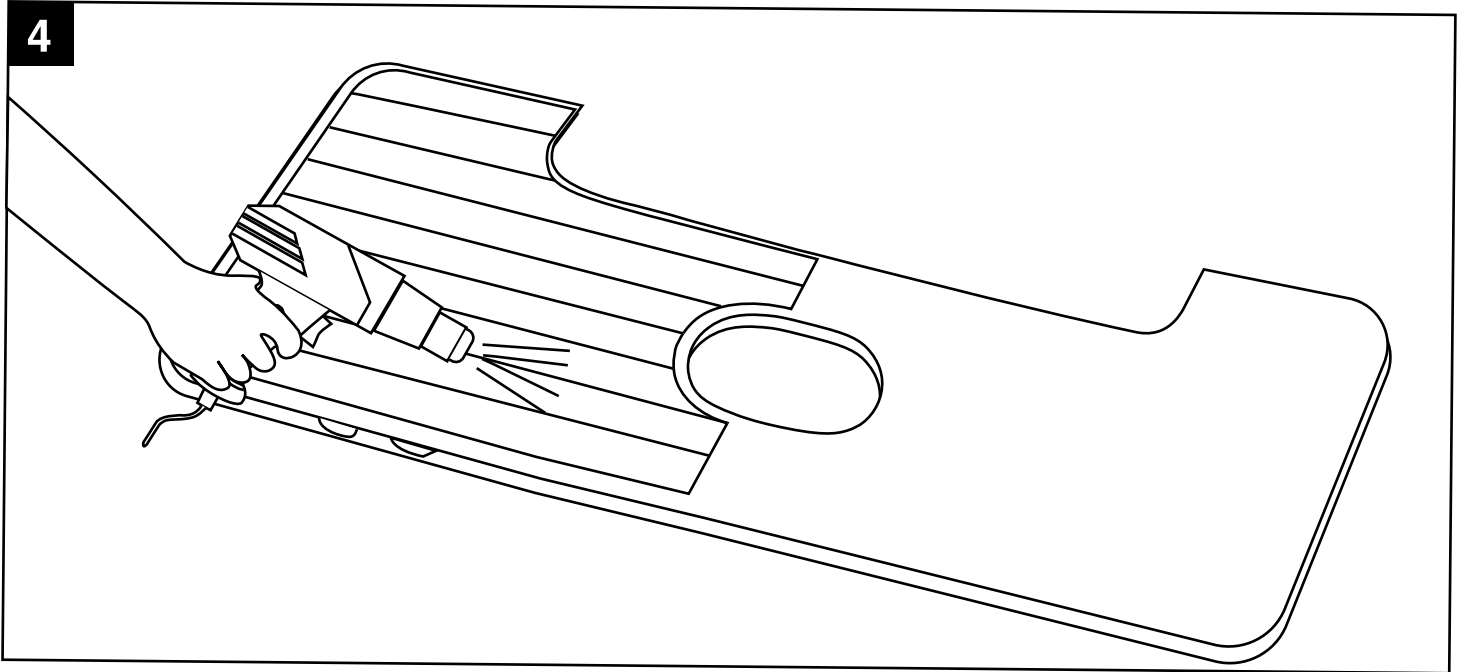
Positioning the SleekTEAK

3



Place the SleekTEAK panel in the exact position you wish to apply it to the surface.

Using Hairdryer or Heat gun



For optimal results, ensure that SleekTEAK material is warm to the touch prior to the installation.

This will guarantee a smooth application without any imperfections such as voids or air bubbles.

Warm Up the Material:

For panels exceeding two feet in length, it is recommended to heat the SleekTEAK until it becomes pliable and warm to the touch.

You can easily achieve this by using a household hairdryer or a heat gun. Direct the heat evenly across the surface of the material.

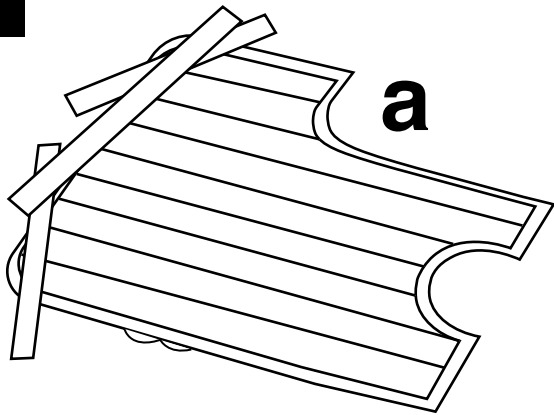
Proceed with Installation:

Once the SleekTEAK is warmed up adequately, proceed with the installation process as outlined in the previous steps.

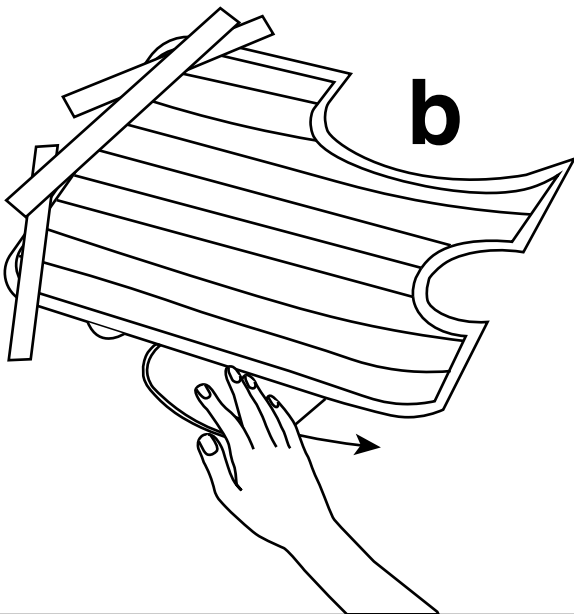
By following this step, you ensure that the SleekTEAK material is primed for a flawless installation, resulting in a polished and professional finish.

Taping and Peeling Off the Backing

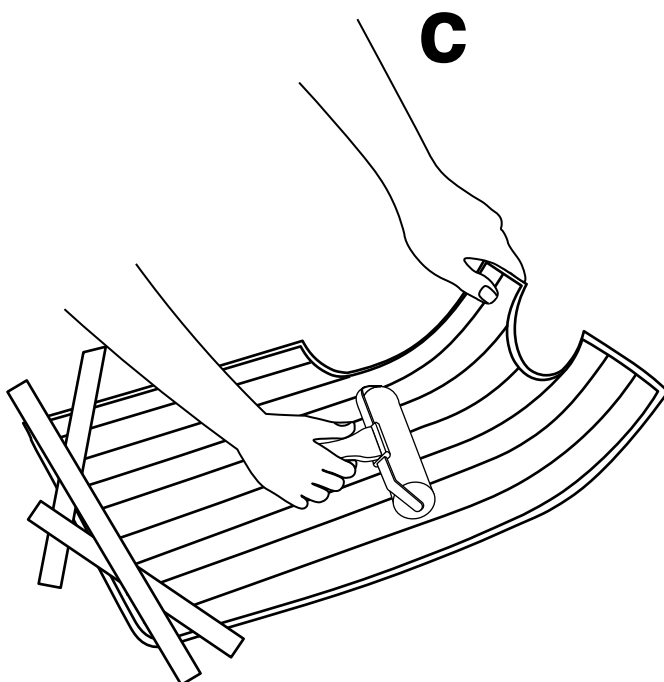
5



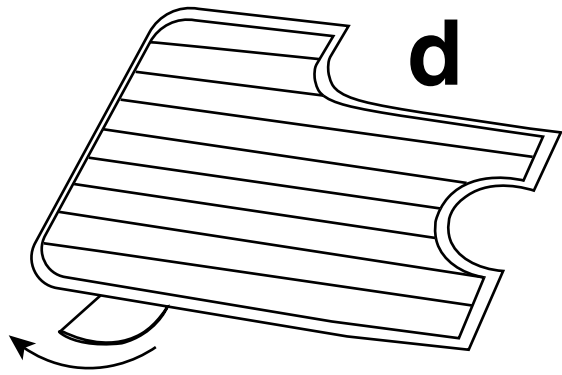
Use masking tape to secure one side of the SleekTEAK panel to the deck or surface. This will help hold it in place during installation.



Lift the opposite side of the SleekTEAK panel that is not secured with masking tape. Peel off the backing of the adhesive from this side of the panel, exposing the adhesive surface.



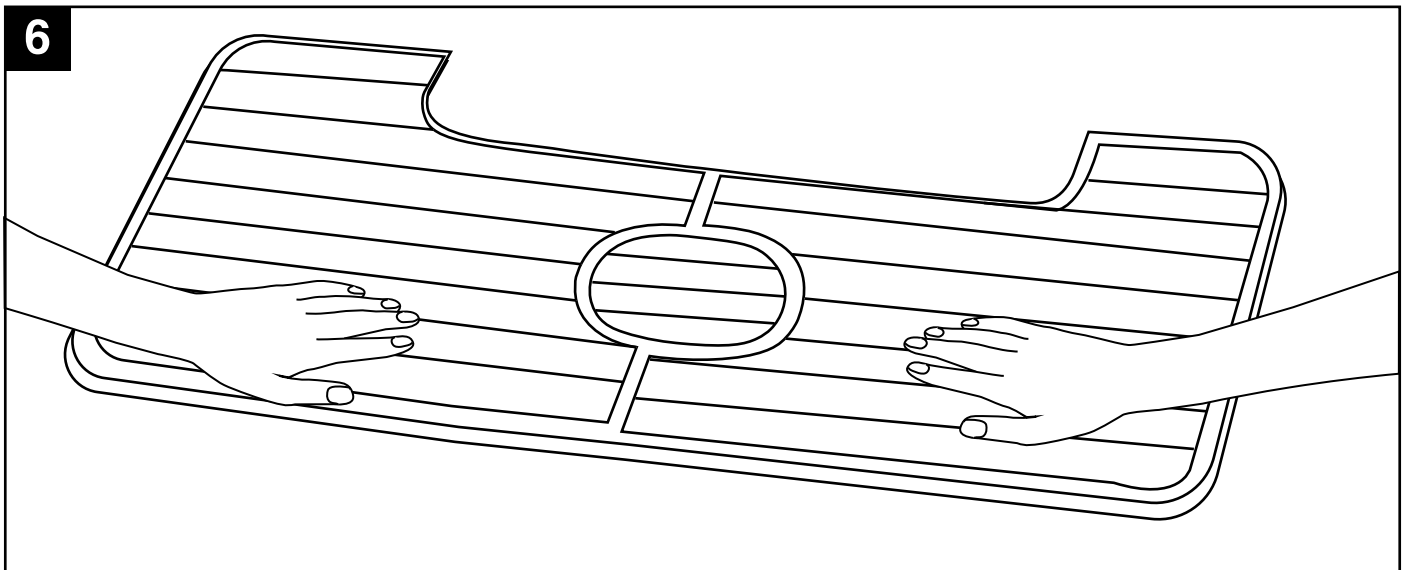
Slowly and carefully ROLL the panel into place onto the deck surface ensuring there are NO bubbles or voids forming underneath, use a roller during and afterwards to ensure cohesion and to avoid bubbles.



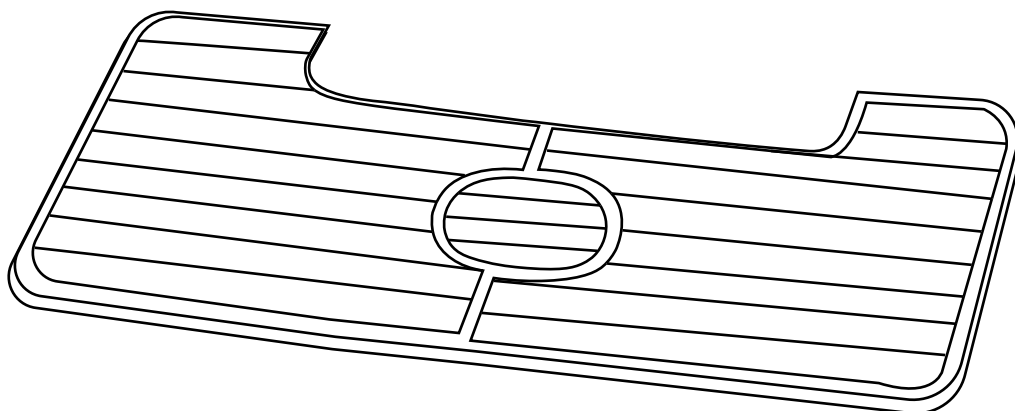
After securing and pressing the panel into place, remove the masking tape from the side previously secured.

Peel back the panel and remove any remaining self-adhesive film from the panel.

Finalizing Installation



Roll the remainder of the panel into place, ensuring it adheres securely to the surface without any wrinkles or bubbles.



**Presto! You have completed
the perfect installation of
SleekTEAK.**